

275K-H1



More power generation

Max. efficiency 99.02%, Euro efficiency 98.80%
12MPPTs for tracking maximum PV power
Supports bifacial PV modules with max. PV current 20A



Low system cost

Up to 24 PV strings
Support aluminum cable access, saving cable costs
Support PLC communication, save communication cable



High reliability

Cooling fan with IP68 protection level
Integrated string monitoring function
Standard connection terminal for quick installation

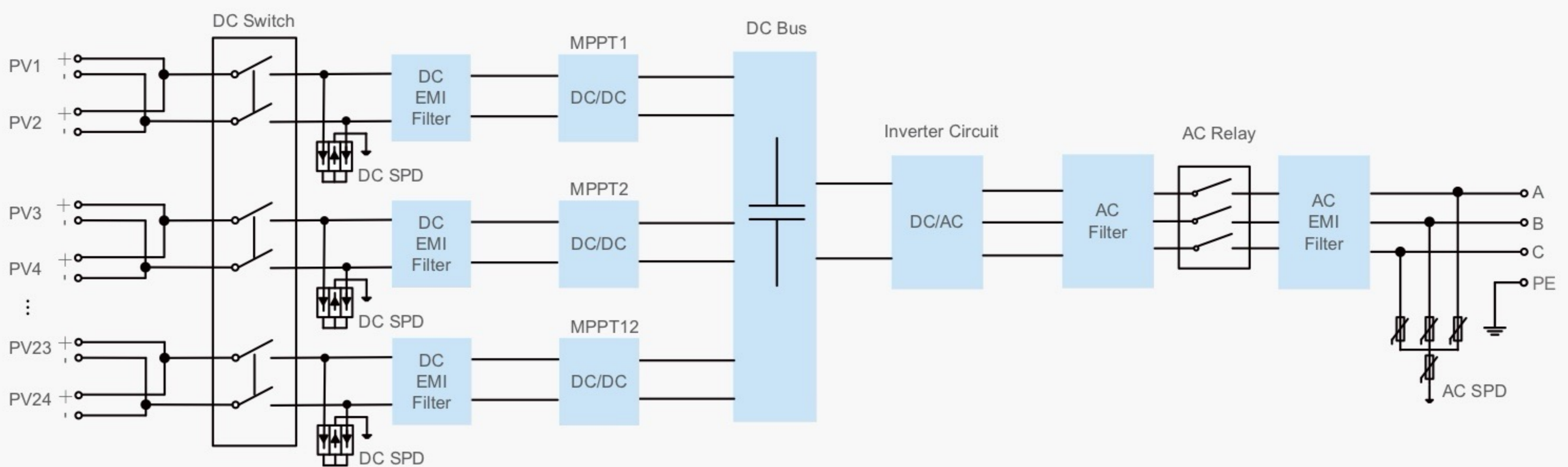


Grid friendly

Active power derating and reactive power adjustable
Low harmonics and fast response for grid regulation



Circuit



Input (DC)	
Max. PV input voltage	1500V
MPPT Max. input current	40A*12
Rated input voltage	1080V
MPP voltage range	500~1500V
MPP voltage range for nominal power	880~1300V
Number of MPPT trackers	12
Max. number of PV strings per MPPT	2
Output (AC)	
Rated output power	275kW@30℃, 250kW@45℃, 225kW@50℃
Max. output power	275kW
Rated grid voltage	800V
Grid voltage range	680~880V
Max. output current	198.5A
Rated grid frequency / range	50Hz/45~55Hz, 60Hz/55~65Hz
Output current harmonic(at nominal power)	<3%
Power factor at nominal power / range	>0.99/0.8leading to 0.8lagging
Protection	
DC reverse connection protection	Yes
Overvoltage protection	DC Type II/AC Type II
Leakage current protection	Yes
Grid monitoring	Yes
Insulation monitoring	Yes
Anti-island protection	Yes
Efficiency	
Max. efficiency	99.02%
EU efficiency	98.80%
General Data	
Isolation method	Transformerless
Self-consuming in night	<3.5W
Protection level	IP66
Noise	<60dB
Temperature	-30℃ ~ +60℃
Allowed humidity(non condensing)	0-100%
Cooling mode	Temperature controlled forced air cooling
Max.operating altitude	5000m (>4000m derating)
Communication port	Standard:PLC, Optional:RS485
Dimensions (WxHxD)	1180x733x350mm
Weight	130kg